

OMB srl produces and commercializes:

- Agitators
- Mixers
- Disperser

for different applications in Chemicco-Pharmaceutical, Foodstuff, Textile, Paper and in Environment Protector Industries.

The experience acquired in design and realizing of the manufacts, takes OMB in the van in the recognizing o the appropriate solution to several application needs.

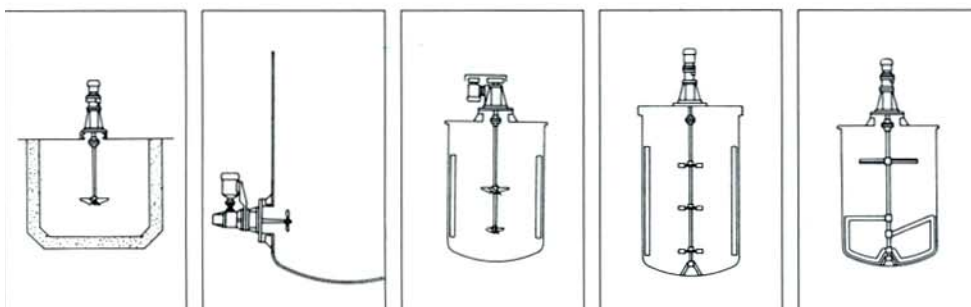
DESCRIPTION

	MOTOR	GEAR BOX	SUPPORT	COUPLING FLANGE	SHAFT	IMPELLER
AVL/4	Electric 4 Poles TEFV or XP		Cast aluminum	UNI 2276 Rigid coupling with bearing	SS 304, 316 CS and/or plastics coated	Marine propeller Materials as for the shaft
AVL/6	Electric 6 Poles TEFV or XP		Cast aluminum	UNI 2276 Rigid coupling with bearing	SS 304, 316 CS and/or plastics coated	Marine propeller Materials as for the shaft
AVLL/6	Electric 6 Poles TEFV or XP		Cast aluminum double	UNI 2276 Rigid coupling with 2 bearings	SS 304, 316 CS and/or plastics coated	Marine propeller Materials as for the shaft
ARV	Electric TEFV or XP	Endless screw type			SS 304, 316 CS and/or plastics coated	Vertical blades Materials as for the shaft
ARVL	Electric TEFV or XP	Endless screw type	Cast aluminum	UNI 2276 with bearing	SS 304, 316 CS and/or plastics coated	Vertical blades Materials as for the shaft
ARL	Electric TEFV or XP	Coaxial Type	Cast aluminum	UNI 2276 Rigid coupling with bearing	SS 304, 316 CS and/or plastics coated	Vertical blades Materials as for the shaft
AV	Electric TEFV or XP			Rigid coupling	SS 304, 316 CS and/or plastics coated	Marine propeller Materials as for the shaft

The overall dimensions and properties values mentioned in this catalogue are purely indicative.

To determin the exact characteristics of each single machine, it's necessary to know:

- Tank overall dimension
- internal volume
- Kind of product
- Temperature
- Pressure
- Type of agitation required



**Application examples
on different tanks**